



A COST-EFFECTIVE COLOUR DOME CAMERA FEATURING 480 LINES OF HORIZONTAL RESOLUTION AND A 2x VARI-FOCAL LENS.

Panasonic introduces the WV-CF212, a new colour dome camera. The WV-CF212 incorporates a 1/4-type CCD with 440,000 pixels, boasting a horizontal resolution of more than 480 lines and a signal to noise ratio of 50dB. Other features include a minimum illumination of 2 lux at F1.4 (1.2 lux at 20 IRE or more), Back-Light Compensation (BLC), Aperture Correction and Auto Tracing White Balance (ATW). The WV-CF212 produces natural and clear colour images in locations where lighting is insufficient or where backlighting is a problem, such as doorways and windows.

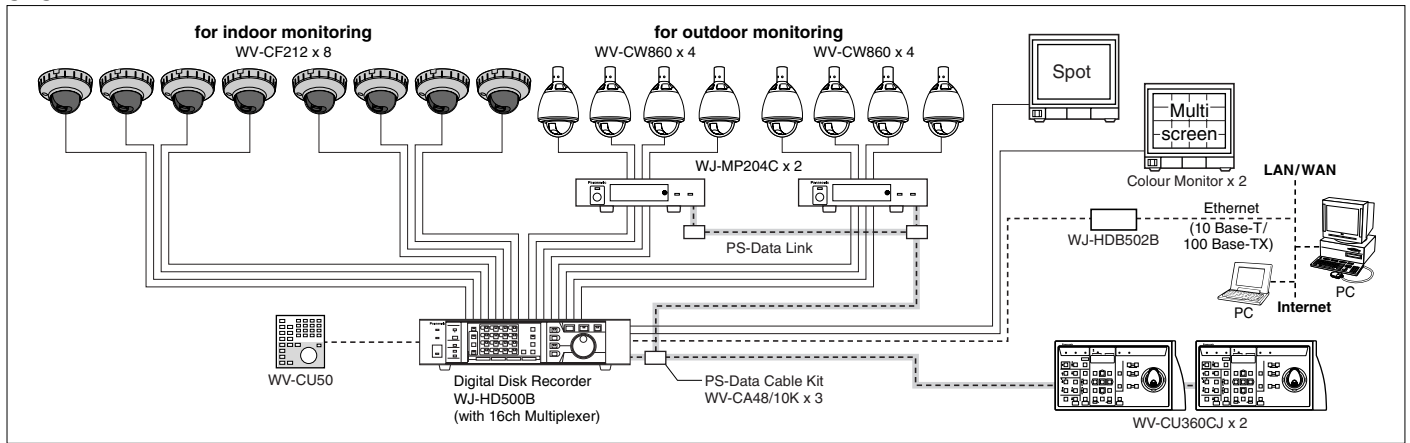
In addition, the WV-CF212 includes a 2x vari-focal lens with a focal length of 2.9 - 6.0mm (F1.4 - 1.7) as a standard feature. The field angle can be set during installation, ensuring images that match specific viewing requirements.

Featuring advanced specifications, as well as easy to install advantages, the WV-CF212 is the best choice for a wide variety of security applications.

KEY FEATURES

- 80mm diameter compact colour dome camera for indoor use application.
- 480-line horizontal resolution.
- Minimum illumination of 2 lux at F1.4 (Wide), 1.2 lux at 20 IRE or more.
- 50dB signal to noise ratio.
- Built-in 2x variable-focal lens (2.9-6.0mm).
- 200° panning and 150° adjustable tilting angle.
- Built-in ELC (Electronic Light Control).
- Built-in aperture level correction.
- Advanced digital adaptive Back-Light Compensation (BLC) capability.
- Video monitor output jack for on the spot checking of the lens angle setting.
- Vertical drive (VD2) sync capability with Panasonic system products.
- 12V DC operation.

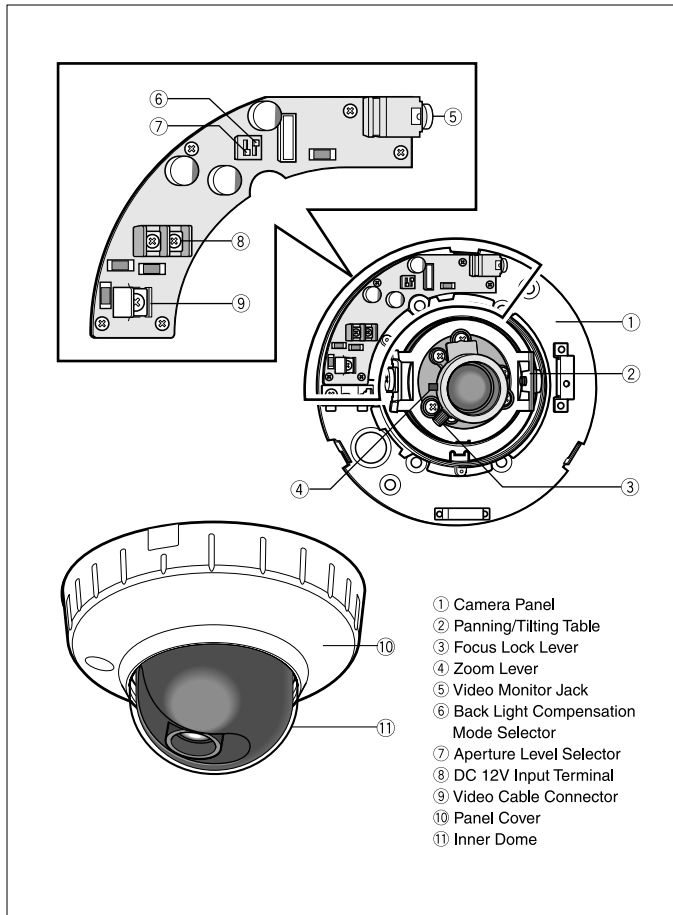
SYSTEM EXAMPLE



OPTIONAL COMPONENTS

<p>Digital Disk Recorders</p> <p>WJ-HD500B (16ch)</p> <p>WJ-HD200 (8ch)</p> <p>WJ-HD100</p> <p>PS•Data</p> 	<p>System Controller</p> <p>WV-CU360CJ</p> <p>PS•Data</p> 	<p>Data Multiplex Unit</p> <p>WJ-MP204C</p> <p>PS•Data</p> 
--	--	--

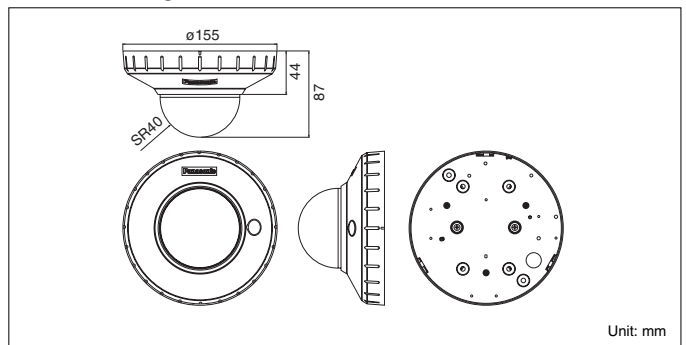
MAJOR OPERATING CONTROLS



SPECIFICATIONS PAL

Model No.	WV-CF212
Type	Dome type colour camera
Pick Up Device	752 (H) x 582 (V) pixels, interline transfer CCD
Scanning Area	3.6 (H) x 2.7 (V) mm, (Equivalent to 1/4" tube)
Scanning	625 lines/50 fields/25 frames
Scanning System	2:1 interlace
Synchronization	Internal or multiplexed vertical drive (VD2), selectable
Video Output	VBS 1.0V [p-p]/75Ω/PAL composite signal/BNC Connector x 1, RCA connector x 1
Horizontal Resolution	480 lines (at centre)
Minimum Illumination	2 lux at F1.4 (Wide), 1.2 lux at 20 IRE or more
Signal to Noise Ratio	50dB (at AGC Off, Weight Off)
Aperture Correction	Sharp or Soft (selectable)
Electronic Light Control	equivalent to continuous variable shutter speeds between 1/50s and 1/15,000 s.
Camera Angle	Pan 200 degree (plus/minus 100 degree) Tilt 150 degree (plus/minus 75 degree)
Lens Type	2x variable focal lens
Focal Length	2.9 - 6.0 mm
Angular Field of View	Horizontal: 35° ~ 70°, Vertical: 27° ~ 52°
Aperture Ratio	F1.4 (Wide) / F1.8 (Tele)
Min. Object Distance	1.2 m
Power Source	12V DC
Power Consumption	240mA
Ambient Operation Temperature	-10 °C - + 50 °C
Dimensions (approx.)	ø155 (W) x 87 (H) mm
Weight (approx.)	0.33 kg

APPEARANCE



• Weights and dimensions are approximate. • Specifications are subject to change without notice. • These products may be subject to export control regulations.

DISTRIBUTED BY:

Panasonic

Panasonic is the brandname of Matsushita Electric.
 Printed in Japan
 WV-JKCF212T(2N-702B)